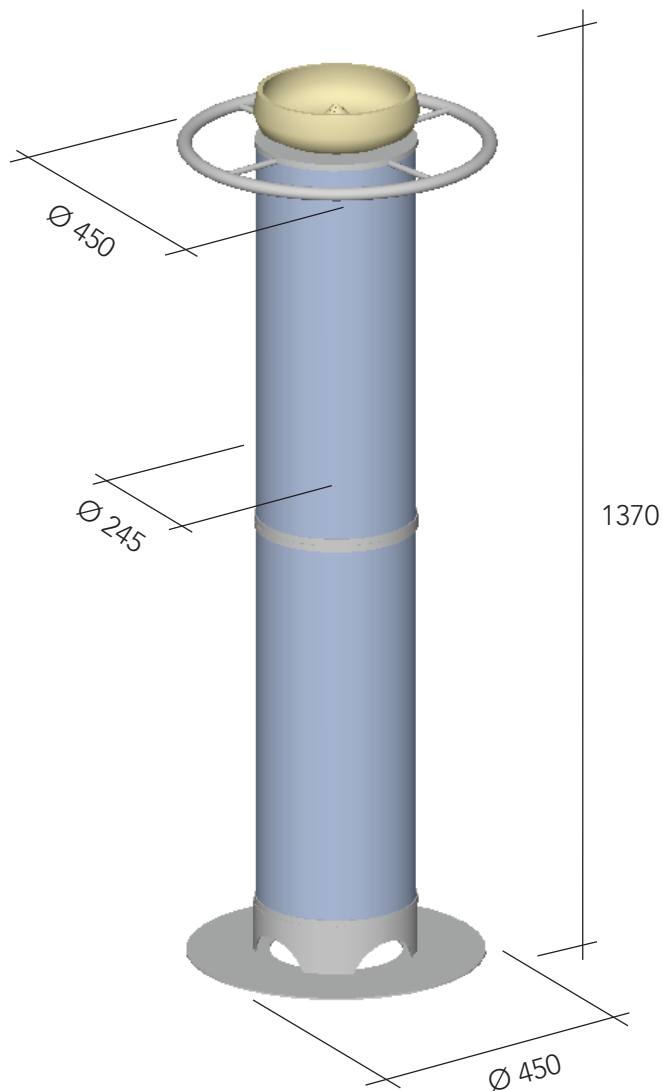


HRST 1200 S2E

stone



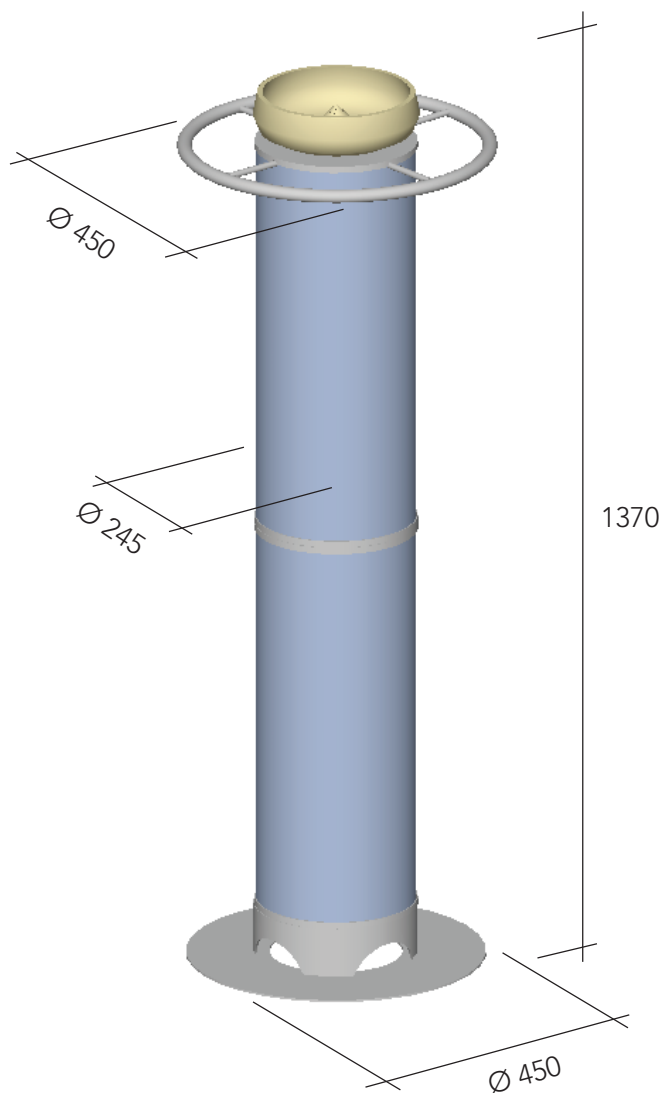
Electric stone storage stove, with prevalently radiated heat .

Possible coating materials: basalt, Italian soapstone, Spluga green gneiss, Emerald green gneiss, Beura white gneiss, Soglio gray gneiss, Andeer green, Dubino granite, Absolute Black granite.

| | |
|-------------------------|-----------------|
| Supply voltage | 230 V ~ 50+60Hz |
| Power | 600W - 1200W |
| Fuse | 6,3 A |
| Exchange surface | 1,210 mq |
| Weight | ≈ 69 Kg. |

HRST 1200 S2E

stein

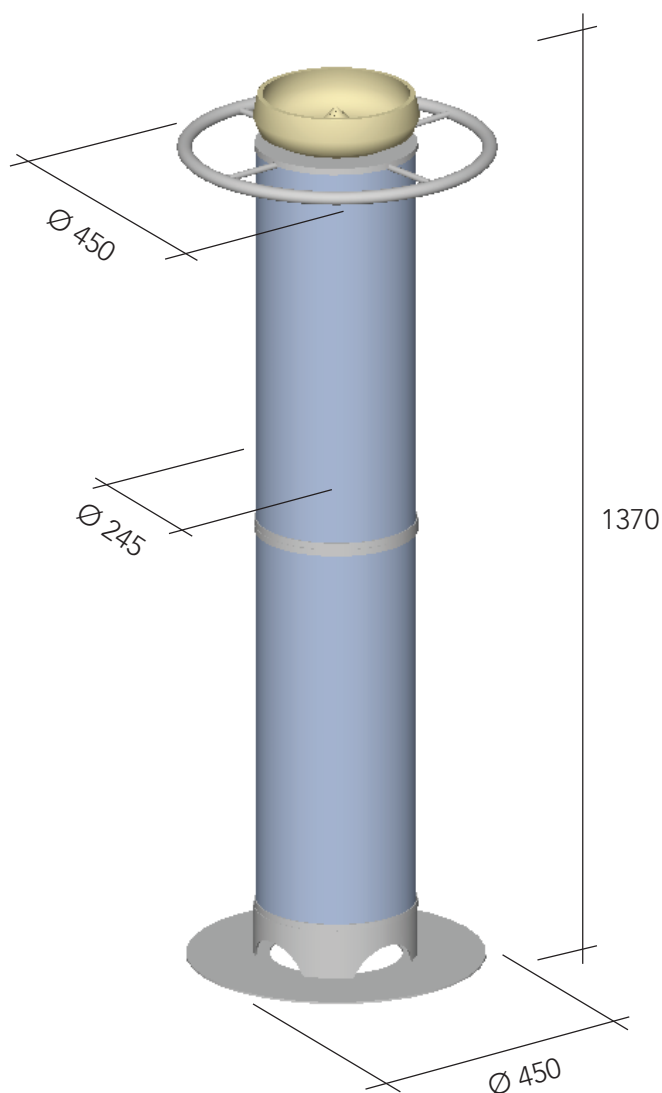


Elektro-Speicherofen aus Stein, mit Wärmeübertragung in Form von Infrarotstrahlung.
Materialien für die Verkleidung: Basalt, Speckstein "Italia", grüner Gneis "Splügen", smaragdgrüner Gneis, weißer Gneis "Beura", grauer Gneis "Soglio", grüner "Andeer", Orthogneis aus "Dubino", Granit "Nero Assoluto".

| | |
|---------------------------|-----------------|
| Netzspannung | 230 V ~ 50+60Hz |
| Leistungsverbrauch | 600W - 1200W |
| Schmelzsicherung | 6,3 A |
| Tauscherfläche | 1,210 mq |
| Gewicht | ≈ 69 Kg. |

HRST 1200 S2E

pietra



Stufa elettrica in pietra ad accumulo, a prevalente trasmissione del calore per irraggiamento.
Possibili materiali di rivestimento: basalto, pietra ollare Italia, beola verde Spluga, beola verde Smeralda, beola bianca Beura, beola grigia Soglio, verde Andeer, serizzo Dubino, granito Nero Assoluto.

| | |
|----------------------------|-----------------|
| Tensione di rete | 230 V ~ 50+60Hz |
| Potenza | 600W - 1200W |
| Protezione fusibile | 6,3 A |
| Superficie scambio | 1,210 mq |
| Peso | ≈ 69 Kg. |